

D

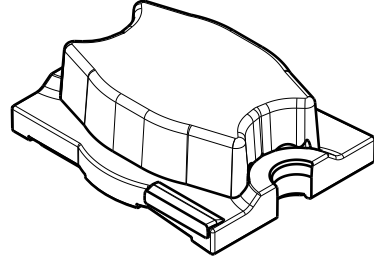
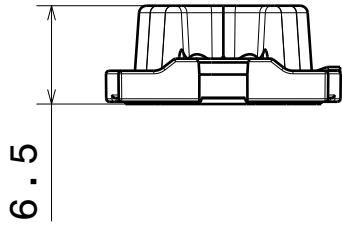
C

B

A

4

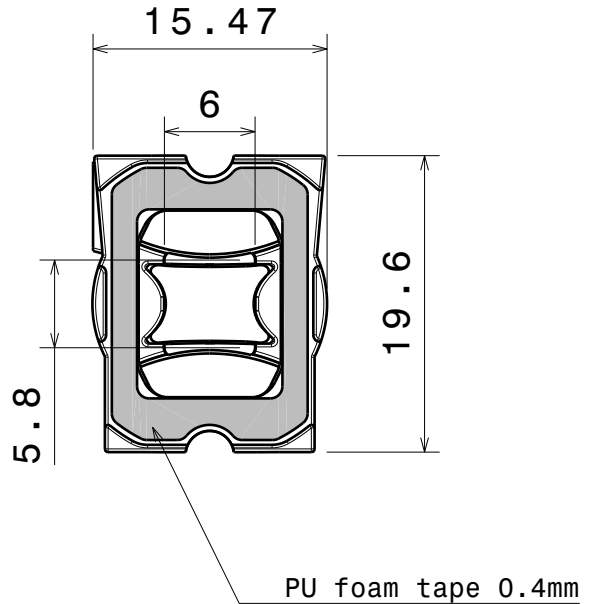
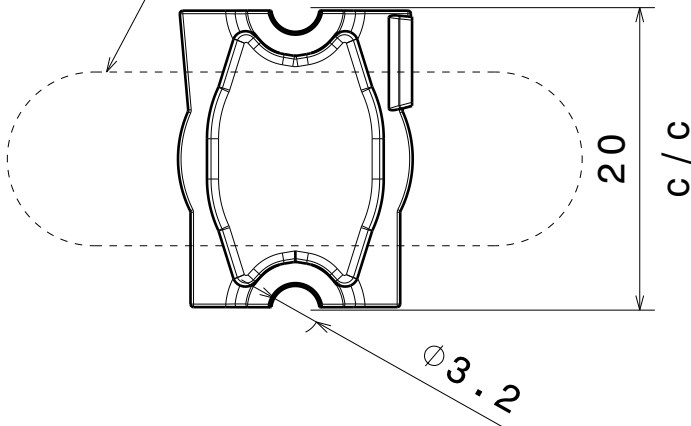
4



3

3

Beam direction



2

2

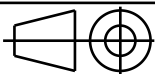
INDEX	PART NO	DESCRIPTION	MATERIAL	COLOUR
1	C10908	STRADA-B	PMMA	

Tolerances if not otherwise shown  
According to DIN ISO 2768-1  
Linear measures:  
up to 30mm class M, otherwise class C  
According to DIN ISO 2768-2  
Form and position: class L

LEDiL

Ledil Oy  
Salorankatu 10  
FIN 24240 SALO  
Finland

THIRD ANGLE PROJECTION:



DRAWING TITLE

CA10914\_STRADA-B

This drawing is the property  
of LEDiL Oy. It may not be  
reproduced, copied or  
communicated without a written  
agreement with LEDiL Oy.

SIZE PART NUMBER

A4

CA10914

SCALE	1:1	WEIGHT	1 g	SHEET	1/1
-------	-----	--------	-----	-------	-----

1

1

D

A